

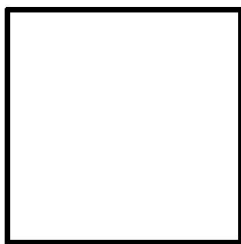


ALEXVALE

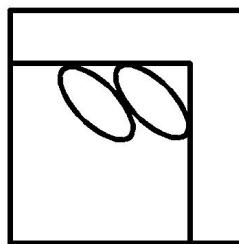


V1Q00R SERIES

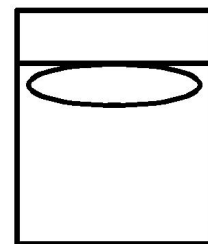
COMPONENTS



V1Q010R
Large Ottoman
W-44 D-44

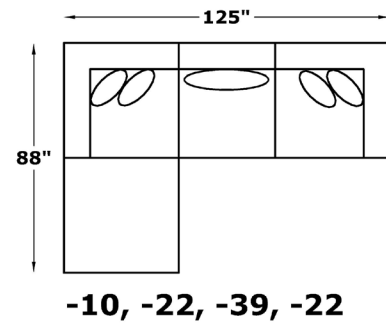
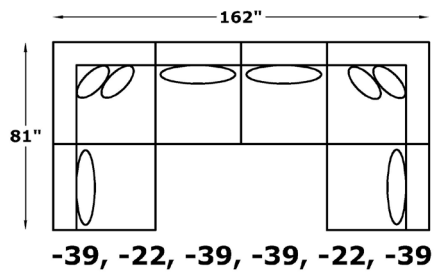
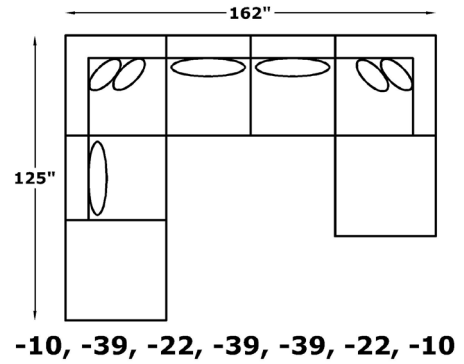
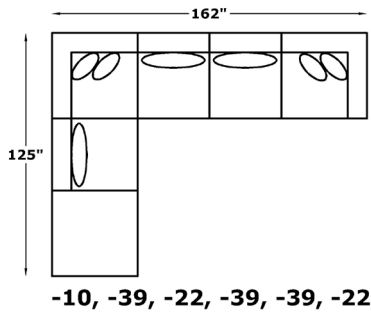
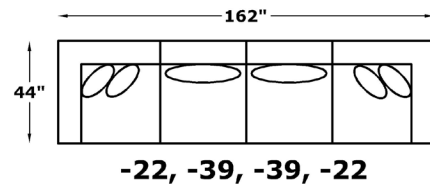
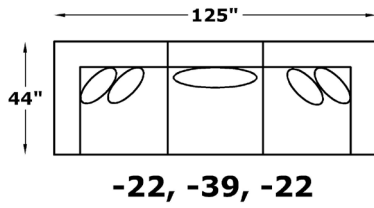
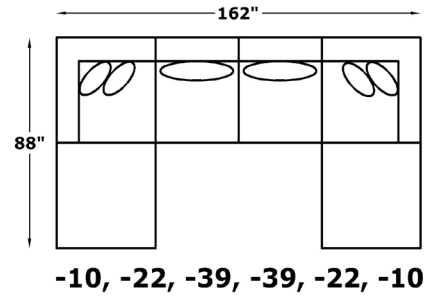
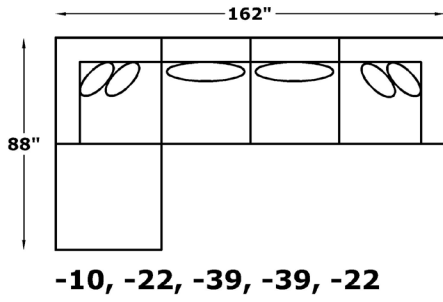


V1Q022R
Corner Wedge
W-44 D-44



V1Q039R
Armless Chair
W-37 D-44

SUGGESTED LAYOUTS



We do our best to provide the most accurate dimensions. However, as with all handcrafted products, dimensions are approximate.